

Freezing Vials

Description

Freezing Vials with Socket Screw-cap, DNase/RNase free, Non-pyrogenic

Purpose

Freezing Vials withstand low temperature for safe storage and transportation of cells, blood, serum and other specimens

Materials

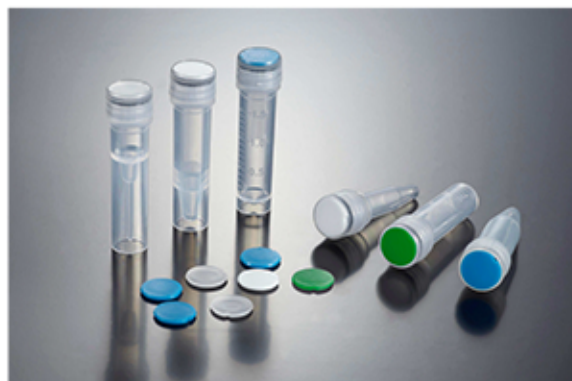
Tube: PP (Polypropylene)

Screw cap: PP (Polypropylene)

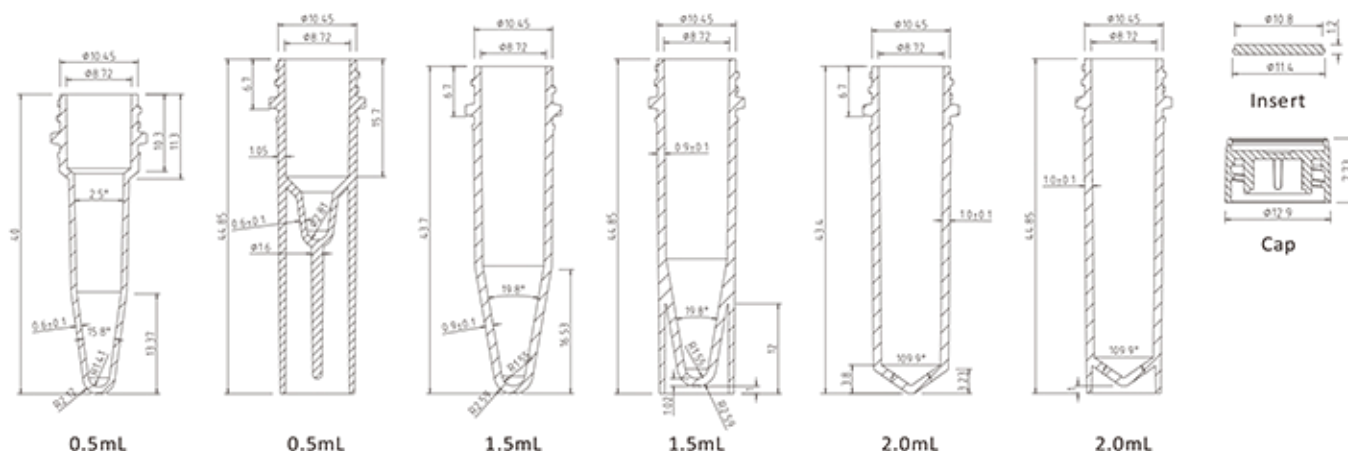
Insert: PP (Polypropylene)

Color: Color-coded cap

Color: Color-coded insert



Dimensions (Unit: mm)



Features

- Temperature range: -196°C to +121°C
- O-rings are made from silicone to insure a leak proof seal
- Screw cap for one-handed operation
- Color-coded caps or inserts for easy identification
- Part of the tube has mold engraved scale experimental process of recording easy
- DNase/RNase free and Non-pyrogenic
- Sterilized by irradiation SAL10⁻⁶ (ISO11137)
- Shelf Life: 3 years after month of production
- Manufactured in a class 100,000 room environment
- Manufactured under ISO13485 and ISO9001 quality management system

Warning! Do not use freezing vials for storage in the liquid phase of liquid nitrogen. Only store vials in the vapor phase above the liquified gas. Always use appropriate safety equipment when removing vials from cryogenic storage.



Freezing Vials

Cat. No.	Volume	Tube Color	Bottom Style	Cap Color	Graduation	Sterilization	Qty/Bag(Box)	Qty/Case
FCT010005	0.5 mL	Natural	Conical	Natural	No	No	100	1000
FCT010015	1.5 mL	Natural	Conical	Natural	Yes	No	100	1000
FCT010020	2.0 mL	Natural	Conical	Natural	Yes	No	100	1000
FCT011005	0.5 mL	Natural	Conical	Natural	No	Yes	100	1000

Freezing Vials

Cat. No.	Volume	Tube Color	Bottom Style	Cap Color	Graduation	Sterilization	Qty/Bag(Box)	Qty/Case
FCT011015	1.5 mL	Natural	Conical	Natural	Yes	Yes	100	1000
FCT011020	2.0 mL	Natural	Conical	Natural	Yes	Yes	100	1000
FCT110005	0.5 mL	Natural	Self-standing	Natural	No	No	100	1000
FCT110015	1.5 mL	Natural	Self-standing	Natural	No	No	100	1000
FCT110020	2.0 mL	Natural	Self-standing	Natural	Yes	No	100	1000
FCT111005	0.5 mL	Natural	Self-standing	Natural	No	Yes	100	1000
FCT111015	1.5 mL	Natural	Self-standing	Natural	No	Yes	100	1000
FCT111020	2.0 mL	Natural	Self-standing	Natural	Yes	Yes	100	1000
FCT111120	2.0 mL	Natural	Self-standing	Red	Yes	Yes	100	1000
FCT111320	2.0 mL	Natural	Self-standing	Blue	Yes	Yes	100	1000
FCT111420	2.0 mL	Natural	Self-standing	Yellow	Yes	Yes	100	1000
FCT111520	2.0 mL	Natural	Self-standing	Green	Yes	Yes	100	1000
FCT111620	2.0 mL	Natural	Self-standing	Pink	Yes	Yes	100	1000
FCT111820	2.0 mL	Natural	Self-standing	White	Yes	Yes	100	1000
FCT112005	0.5 mL	Natural	Conical	Natural	No	No	50	5000
FCT112015	1.5 mL	Natural	Conical	Natural	Yes	No	50	5000
FCT112020	2.0 mL	Natural	Conical	Natural	Yes	No	20	5000
FCT122005	0.5 mL	Natural	Conical	Natural	No	Yes	50	5000
FCT122015	1.5 mL	Natural	Conical	Natural	Yes	Yes	50	5000
FCT122020	2.0 mL	Natural	Conical	Natural	Yes	Yes	20	5000
FCT210005	0.5 mL	Natural	Conical	Natural	No	No	500	5000
FCT210015	1.5 mL	Natural	Conical	Natural	Yes	No	500	5000
FCT210020	2.0 mL	Natural	Conical	Natural	Yes	No	500	5000
FCT310005	0.5 mL	Natural	Self-standing	Natural	No	No	500	5000
FCT310015	1.5 mL	Natural	Self-standing	Natural	No	No	500	5000
FCT310020	2.0 mL	Natural	Self-standing	Natural	Yes	No	500	5000
FCT311205	0.5 mL	Natural	Self-standing	Natural	No	Yes	500	5000
FCT311215	1.5 mL	Natural	Self-standing	Natural	No	Yes	500	5000
FCT311220	2.0 mL	Natural	Self-standing	Natural	Yes	Yes	500	5000
FCT311005	0.5 mL	Natural	Self-standing	Natural	No	No	50	5000
FCT311015	1.5 mL	Natural	Self-standing	Natural	No	No	50	5000
FCT311020	2.0 mL	Natural	Self-standing	Natural	Yes	No	20	5000
FCT311105	0.5 mL	Natural	Self-standing	Red	No	No	50	5000
FCT311115	1.5 mL	Natural	Self-standing	Red	No	No	50	5000
FCT311120	2.0 mL	Natural	Self-standing	Red	Yes	No	20	5000
FCT311305	0.5 mL	Natural	Self-standing	Blue	No	No	50	5000
FCT311315	1.5 mL	Natural	Self-standing	Blue	No	No	50	5000
FCT311320	2.0 mL	Natural	Self-standing	Blue	Yes	No	20	5000
FCT311405	0.5 mL	Natural	Self-standing	Yellow	No	No	50	5000
FCT311415	1.5 mL	Natural	Self-standing	Yellow	No	No	50	5000
FCT311420	2.0 mL	Natural	Self-standing	Yellow	Yes	No	20	5000
FCT311505	0.5 mL	Natural	Self-standing	Green	No	No	50	5000
FCT311515	1.5 mL	Natural	Self-standing	Green	No	No	50	5000

Freezing Vials

Cat. No.	Volume	Tube Color	Bottom Style	Cap Color	Graduation	Sterilization	Qty/Bag(Box)	Qty/Case
FCT311520	2.0 mL	Natural	Self-standing	Green	Yes	No	20	5000
FCT311605	0.5 mL	Natural	Self-standing	Pink	No	No	50	5000
FCT311615	1.5 mL	Natural	Self-standing	Pink	No	No	50	5000
FCT311620	2.0 mL	Natural	Self-standing	Pink	Yes	No	20	5000
FCT311805	0.5 mL	Natural	Self-standing	White	No	No	50	5000
FCT311815	1.5 mL	Natural	Self-standing	White	No	No	50	5000
FCT311820	2.0 mL	Natural	Self-standing	White	Yes	No	20	5000
FCT311905	0.5 mL	Natural	Self-standing	Black	No	No	50	5000
FCT311915	1.5 mL	Natural	Self-standing	Black	No	No	50	5000
FCT311920	2.0 mL	Natural	Self-standing	Black	Yes	No	20	5000
FCT312005	0.5 mL	Natural	Self-standing	Natural	No	Yes	50	5000
FCT312015	1.5 mL	Natural	Self-standing	Natural	No	Yes	50	5000
FCT312020	2.0 mL	Natural	Self-standing	Natural	Yes	Yes	20	5000
FCT312105	0.5 mL	Natural	Self-standing	Red	No	Yes	50	5000
FCT312115	1.5 mL	Natural	Self-standing	Red	No	Yes	50	5000
FCT312120	2.0 mL	Natural	Self-standing	Red	Yes	Yes	20	5000
FCT312305	0.5 mL	Natural	Self-standing	Blue	No	Yes	50	5000
FCT312315	1.5 mL	Natural	Self-standing	Blue	No	Yes	50	5000
FCT312320	2.0 mL	Natural	Self-standing	Blue	Yes	Yes	20	5000
FCT312405	0.5 mL	Natural	Self-standing	Yellow	No	Yes	50	5000
FCT312415	1.5 mL	Natural	Self-standing	Yellow	No	Yes	50	5000
FCT312420	2.0 mL	Natural	Self-standing	Yellow	Yes	Yes	20	5000
FCT312505	0.5 mL	Natural	Self-standing	Green	No	Yes	50	5000
FCT312515	1.5 mL	Natural	Self-standing	Green	No	Yes	50	5000
FCT312520	2.0 mL	Natural	Self-standing	Green	Yes	Yes	20	5000
FCT312605	0.5 mL	Natural	Self-standing	Pink	No	Yes	50	5000
FCT312615	1.5 mL	Natural	Self-standing	Pink	No	Yes	50	5000
FCT312620	2.0 mL	Natural	Self-standing	Pink	Yes	Yes	20	5000
FCT312705	0.5 mL	Natural	Self-standing	Brown	No	Yes	50	5000
FCT312715	1.5 mL	Natural	Self-standing	Brown	No	Yes	50	5000
FCT312720	2.0 mL	Natural	Self-standing	Brown	Yes	Yes	20	5000
FCT312805	0.5 mL	Natural	Self-standing	White	No	Yes	50	5000
FCT312815	1.5 mL	Natural	Self-standing	White	No	Yes	50	5000
FCT312820	2.0 mL	Natural	Self-standing	White	Yes	Yes	20	5000
FCT312905	0.5 mL	Natural	Self-standing	Black	No	Yes	50	5000
FCT312915	1.5 mL	Natural	Self-standing	Black	No	Yes	50	5000
FCT312920	2.0 mL	Natural	Self-standing	Black	Yes	Yes	20	5000
FCT510905	0.5 mL	Brown	Self-standing	Brown	No	No	500	5000
FCT510915	1.5 mL	Brown	Self-standing	Brown	No	No	500	5000
FCT510920	2.0 mL	Brown	Self-standing	Brown	Yes	No	500	5000
FCT513905	0.5 mL	Brown	Self-standing	Brown	No	Yes	500	5000
FCT513915	1.5 mL	Brown	Self-standing	Brown	No	Yes	500	5000
FCT513920	2.0 mL	Brown	Self-standing	Brown	Yes	Yes	500	5000

Freezing Vials

Freezing Vials Insert

Cat. No.	Color	Sterilization	Qty/Bag/Box	Qty/Case
FTC000001	Natural	No	500	5000
FTC000002	White	No	500	5000
FTC000003	Green	No	500	5000
FTC000004	Blue	No	500	5000