

15mL Centrifuge Tubes

Description

15 mL, Conical Bottom, with Flat Cap or Plug Seal Cap, Sterile or Non-Sterile

Purpose

Popular in samples centrifuging or storage in many research area

Materials

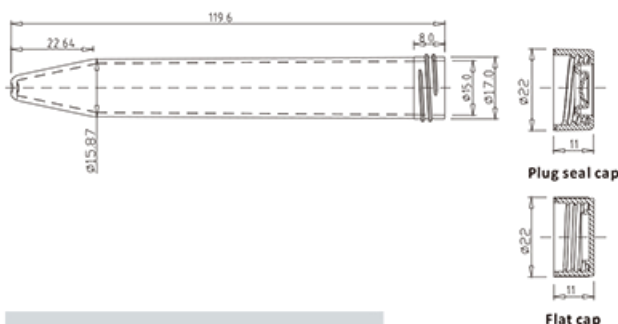
Tube: PP (Polypropylene)

Cap: HDPE (High-density Polyethylene)

Color: Light green



Dimensions (Unit: mm)



Features

- Autoclavable at 121°C and freezable to -80°C
- Available with Flat cap or plug seal cap
- Easy-to-read black graduations in ±2% increments
- Contains a large, white frosted writing area
- Maximum RCF up to 12,000 x g
- DNase/RNase free
- Non-pyrogenic
- Sterilized by irradiation SAL10⁻⁶ (ISO11137)
- Shelf Life: 3 years after month of production
- Manufactured in a class 100,000 room environment
- Manufactured under ISO13485 and ISO9001 quality management system
- When the centrifuge tube is frozen, it is prohibited to use a foam shelf to freeze storage



15mL Centrifuge Tubes

Cat. No.	Capacity	Bottom Style	Cap Style	Sterilization	Packaging Configuration
CFT000150	15 mL	Conical	Flat Cap	No	500/bag/case
CFT010150	15 mL	Conical	Flat Cap	No	50/bag, 500/case
CFT011150	15 mL	Conical	Flat Cap	Yes	25/bag, 500/case
CFT021150	15 mL	Conical	Flat Cap	Yes	25/paper rack, 50/bag, 500/case
CFT031150	15 mL	Conical	Flat Cap	Yes	25/plastic rack, 50/bag, 300/case
CFT550150	15 mL	Conical	Plug Seal Cap	No	500/bag/case
CFT510150	15 mL	Conical	Plug Seal Cap	No	50/bag, 500/case
CFT511150	15 mL	Conical	Plug Seal Cap	Yes	25/bag, 500/case
CFT521150	15 mL	Conical	Plug Seal Cap	Yes	25/paper rack, 50/bag, 500/case
CFT621150	15 mL	Conical	Plug Seal Cap	Yes	25/plastic rack, 50/bag, 300/case

50mL Centrifuge Tubes

Description

50 mL, Conical Bottom, with Flat Cap or Plug Seal Cap, Sterile or Non-Sterile

Purpose

Popular in samples centrifuging or storage in many research area

Materials

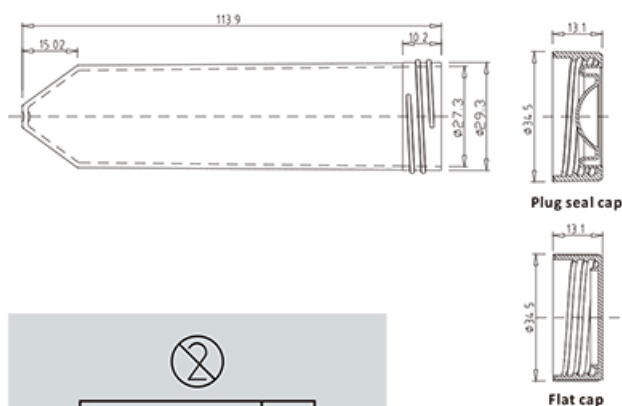
Tube: PP (Polypropylene)

Cap: HDPE (High-density Polyethylene)

Color: Light green



Dimensions (Unit: mm)



Features

- Autoclavable at 121°C and freezable to -80°C
- Available with Flat cap or plug seal cap
- Easy-to-read black graduations in $\pm 2\%$ increments
- Contains a large, white frosted writing area
- Maximum RCF up to 12,000 x g
- DNase/RNase free
- Non-pyrogenic
- Sterilized by irradiation SAL10⁻⁶ (ISO11137)
- Shelf Life: 3 years after month of production
- Manufactured in a class 100,000 room environment
- Manufactured under ISO13485 and ISO9001 quality management system
- When the centrifuge tube is frozen, it is prohibited to use a foam shelf to freeze storage



50mL Centrifuge Tubes

Cat. No.	Capacity	Bottom Style	Cap Style	Sterilization	Packaging Configuration
CFT000500	50 mL	Conical	Flat Cap	No	500/bag/case
CFT010500	50 mL	Conical	Flat Cap	No	50/bag, 500/case
CFT011500	50 mL	Conical	Flat Cap	Yes	25/bag, 500/case
CFT021500	50 mL	Conical	Flat Cap	Yes	25/paper rack/bag, 500/case
CFT031500	50 mL	Conical	Flat Cap	Yes	25/plastic rack/bag, 300/case
CFT500500	50 mL	Conical	Plug Seal Cap	No	500/bag/case
CFT510500	50 mL	Conical	Plug Seal Cap	No	50/bag, 500/case
CFT511500	50 mL	Conical	Plug Seal Cap	Yes	25/bag, 500/case
CFT521500	50 mL	Conical	Plug Seal Cap	Yes	25/paper rack/bag, 500/case
CFT621500	50 mL	Conical	Plug Seal Cap	Yes	25/plastic rack/bag, 300/case

50mL Centrifuge Tubes

Description

50 mL, Self-standing Bottom, with Flat Cap or Plug Seal Cap, Sterile or Non-Sterile

Purpose

Popular in samples centrifuging or storage in many research area

Materials

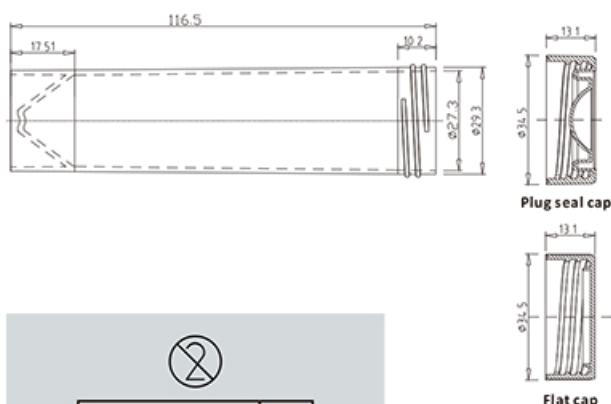
Tube: PP (Polypropylene)

Cap: HDPE (High-density Polyethylene)

Color: Light green



Dimensions (Unit: mm)



Features

- Autoclavable at 121°C and freezable to -80°C
- Available with Flat cap or plug seal cap
- Easy-to-read black graduations in ±2% increments
- Contains a large, white frosted writing area
- Maximum RCF up to 6,000 x g
- DNase/RNase free
- Non-pyrogenic
- Sterilized by irradiation SAL10⁻⁶ (ISO11137)
- Shelf Life: 3 years after month of production
- Manufactured in a class 100,000 room environment
- Manufactured under ISO13485 and ISO9001 quality management system
- When the centrifuge tube is frozen, it is prohibited to use a foam shelf to freeze storage



50mL Centrifuge Tubes

Cat. No.	Capacity	Bottom Style	Cap Style	Sterilization	Packaging Configuration
CFT100500	50 mL	Self-standing	Flat Cap	No	500/bag/case
CFT110500	50 mL	Self-standing	Flat Cap	No	50/bag, 500/case
CFT111500	50 mL	Self-standing	Flat Cap	Yes	25/bag, 500/case
CFT660500	50 mL	Self-standing	Plug Seal Cap	No	500/bag/case
CFT610500	50 mL	Self-standing	Plug Seal Cap	No	50/bag, 500/case
CFT611500	50 mL	Self-standing	Plug Seal Cap	Yes	25/bag, 500/case